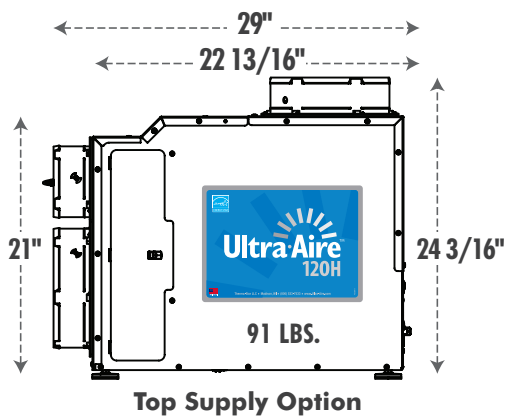
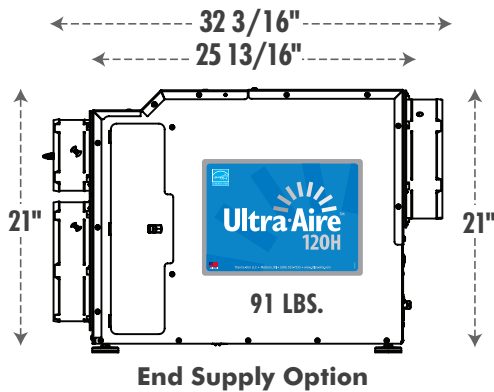
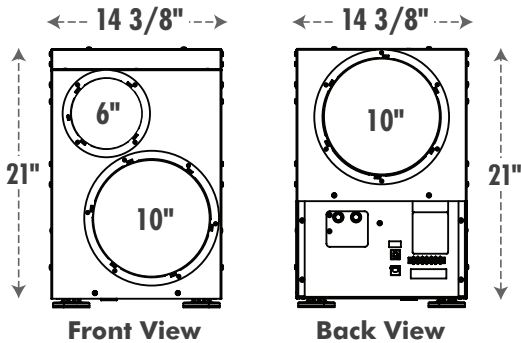


Technical Specs

ULTRA-AIRE™ 120H

Features

- Quiet Operation
- Top or End Supply Option
- Energy Star® Rated
- Superior MERV-13 Filtration
- Dedicated Outdoor Air Ventilation
- Unmatched 6 Year Warranty



Part Number

4031957

Capacity

Water Removal

121 Pints/Day @ 80°F/60%RH

Efficiency

6.1 Pints/kWh @ 80°F/60%RH

Performance

Blower

350 CFM @ 0.0" WG
285 CFM @ 0.2" WG
210 CFM @ 0.4" WG

Energy Factor

2.9 L/kWh

Sized For

Up to 3,000 Square Feet

Operating Range

49°F - 95°F Inlet Air Temperature
34°F - 135°F Outside Cabinet

Electrical

Power

840 Watts @ 80°F/60%RH

Supply Voltage

115 VAC - 1 Phase - 60 Hz.

Current Draw

7.3 Amps

Power Cord

9 Foot - 115 VAC - Ground

Circuit Requirement

15 Amps

Functionality

Duct Connections

6" Round OA Inlet -
10" Round Inlet & Outlet

Drain Connection

3/4" Threaded Female NPT

Transformer Protection

Push button reset located near the power cord

Control

Use of the DEH 3000/R digital control for outdoor air ventilation and humidity control in the living space or similar option

Refrigerant

R410A - 1 Lb., 10 Oz.

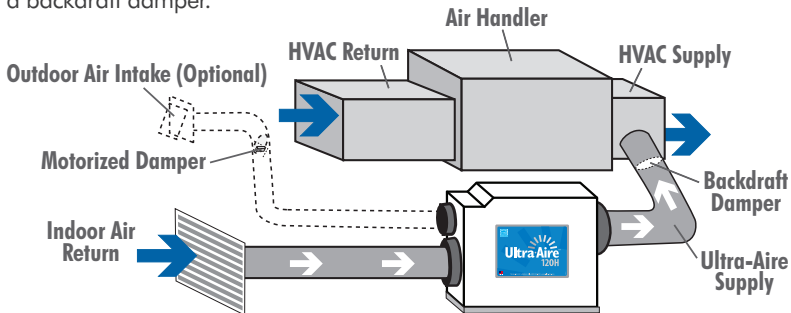
Shipping Dimensions

18.5"W x 23.5"H x 40"D - 101 Lbs.

Recommended Installations

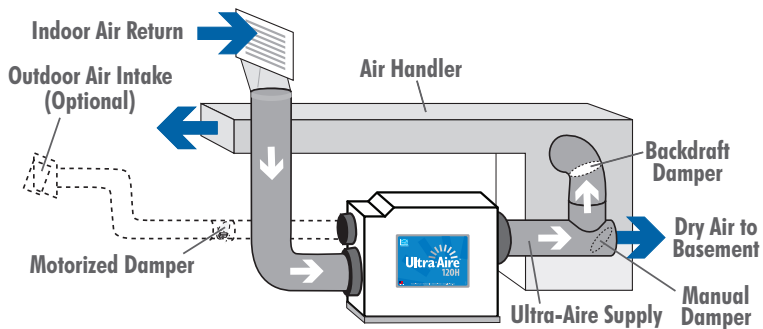
Dedicated Return to HVAC Supply

Create a separate return for the Ultra-Aire 120H in a central area of the building. Duct the supply of the Ultra-Aire 120H to the air supply of the HVAC system with a backdraft damper.



Basement / Crawl Space - Dedicated Return to HVAC Supply

Duct the supply of the Ultra-Aire 120H to a 10" x 10" x 10" tee damper that is 20 percent open to the basement. Duct the other side of the tee to the air supply of the existing HVAC system with a backdraft damper.



Accessories

DEH 3000 Control	4028539
DEH 3000R Control	4028407
Ultra-Aire Sentry	4037220
MERV-13 Filter (14" x 17.5" x 1.75")	4037722
MERV-13 Filter 4-Pack	4037731
MERV-13 Filter 12-Pack	4037732
Pump Kit	4022220
Hang Kit	4036695
6" Motorized Damper	4023672
6" Flex Duct 25'	4026859
6" Flex Insulated Duct 25'	4020128
6" Inlet Hood	4020656
10" Gravity Damper	4024375
10" Flex Duct 25'	4026969
10" Flex Insulated Duct 25'	4022126

Ultra-Aire™ Whole House Ventilating Dehumidifiers

are specifically designed for professional HVAC installation and deliver the ultimate in indoor air quality and comfort.



Alternative Installation

HVAC Return to HVAC Supply

Check Damper should be in place between the Return and Supply connections of the dehumidifier.

If Check Damper is not in place, the HVAC fan must turn on when the dehumidifier is in operation.

