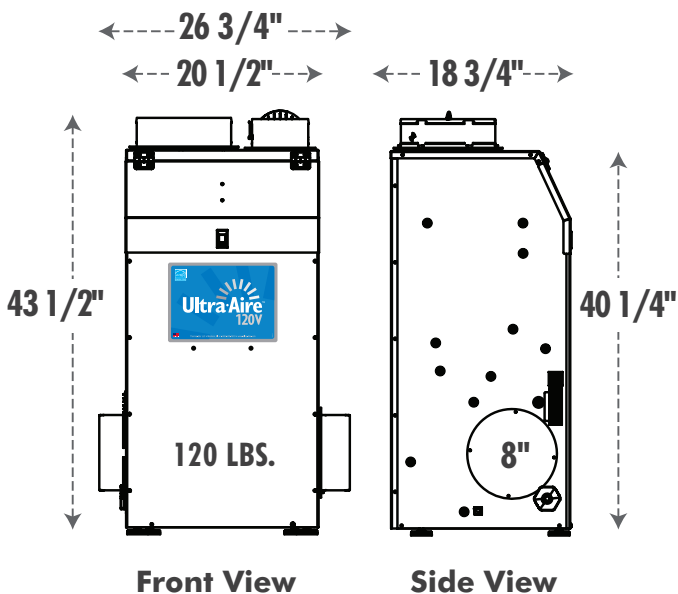
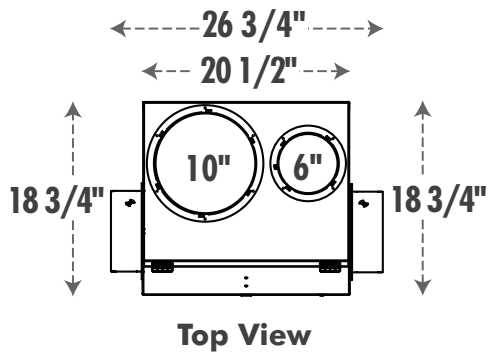


Technical Specs

ULTRA-AIRE™ 120V

Features

- Vertical Configuration
- Patent Pending Dual Supply Options
- Energy Star® Rated
- Superior MERV-13 Filtration
- Dedicated Outdoor Air Ventilation
- Unmatched 6 Year Warranty



Part Number	4036400
Capacity	
Water Removal	124 Pints/Day @ 80°F/60%RH
Efficiency	7.6 Pints/kWh @ 80°F/60%RH
Performance	
Blower	445 CFM @ 0.0" WG 390 CFM @ 0.2" WG 360 CFM @ 0.4" WG
Energy Factor	3.6 L/kWh
Sized For	Up to 3,000 Square Feet
Operating Range	49°F - 95°F Inlet Air Temperature 34°F - 135°F Outside Cabinet
Electrical	
Power	680 Watts @ 80°F/60%RH
Supply Voltage	115 VAC - 1 Phase - 60 Hz.
Current Draw	5.8 Amps
Power Cord	9 Foot - 115 VAC - Ground
Circuit Requirement	15 Amps
Functionality	
Duct Connections	6" Round OA Inlet - 10" Round Inlet - 8" Round Outlet (x2)
Drain Connection	3/4" Threaded Female NPT
Transformer Protection	Push button reset located near the power cord
Control	Use of the DEH 3000/R digital control for outdoor air ventilation and humidity control in the living space or similar option
Refrigerant	R410A - 2 Lbs., 5 Oz.
Shipping Dimensions	25"W x 47"H x 22"D - 145 Lbs.

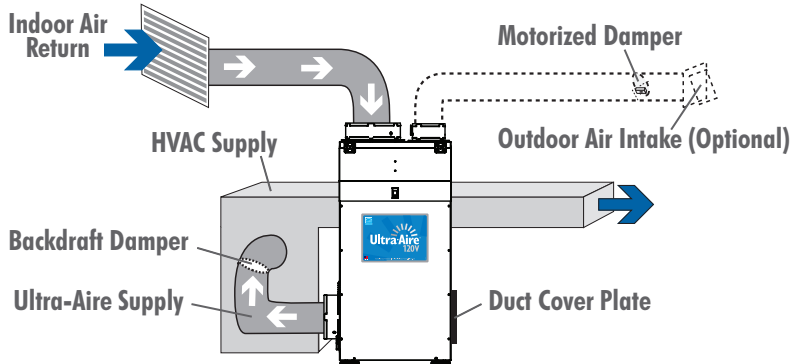
Recommended Installations

Dedicated Return to HVAC Supply

Create a separate return for the Ultra-Aire 120V in a central area of the building. Duct the supply of the Ultra-Aire 120V to the air supply of the HVAC system with a backdraft damper.

When using only one of the two supplies on the Ultra-Aire 120V, the unused supply must be blocked using the duct cover plate included.

The optional second supply of the Ultra-Aire 120V may be ducted to another location. This can provide a second source of airflow to the basement or supply of the existing HVAC system with a backdraft damper.

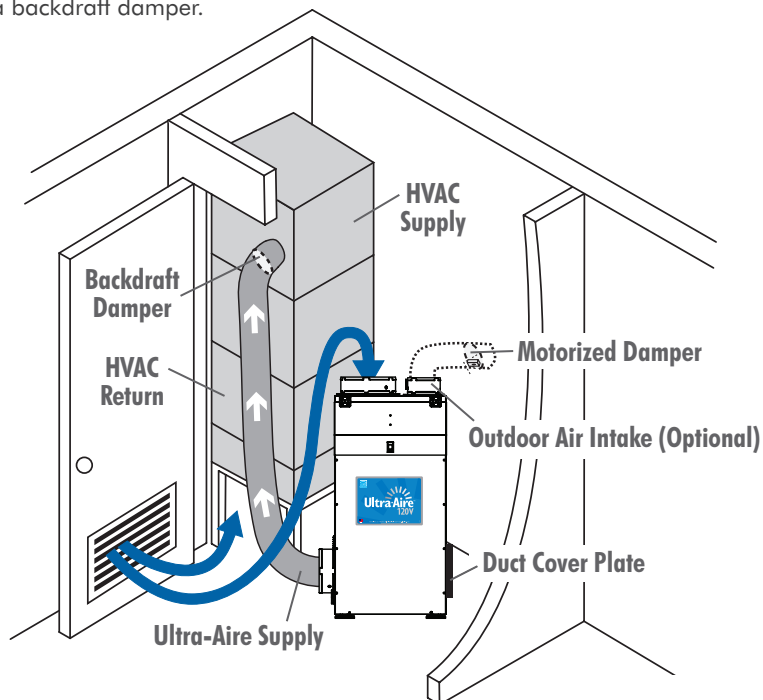


Closest Installation - Central Return to HVAC Supply

Locate the dehumidifier under or next to the HVAC system as space allows. A passive vent or louver door with a minimum net free area of 1 square foot is required to allow air to be pulled in from the living space.

No inlet duct is required. Air is pulled through the passive vent or louver door from the living space.

Duct the supply of the Ultra-Aire 120V to the supply of the existing HVAC system with a backdraft damper.



Accessories

DEH 3000 Control	4028539
DEH 3000R Control	4028407
Ultra-Aire Sentry	4037220
MERV-13 Filter (16" x 20" x 2")	4039391
MERV-13 Filter 4-Pack	4037733
MERV-13 Filter 12-Pack	4037734
MERV-14 Filter	4022489
Caster Kit	4028616
Pump Kit	4039225
6" Motorized Damper	4023672
6" Flex Duct 25'	4026859
6" Flex Insulated Duct 25'	4020128
6" Inlet Hood	4020656
8" Gravity Damper	4023647
8" Flex Duct 25'	4027415
8" Insulated Flex Duct 25'	4020177
10" Gravity Damper	4024375
10" Flex Duct 25'	4026969
10" Insulated Flex Duct 25'	4022126

Ultra-Aire™ Whole House Ventilating Dehumidifiers

are specifically designed for professional HVAC installation and deliver the ultimate in indoor air quality and comfort.

Ultra-Aire™
DEHUMIDIFIERS

