

# Ultra-Aire™ 70H Ventilating Dehumidifier

## Specification Data

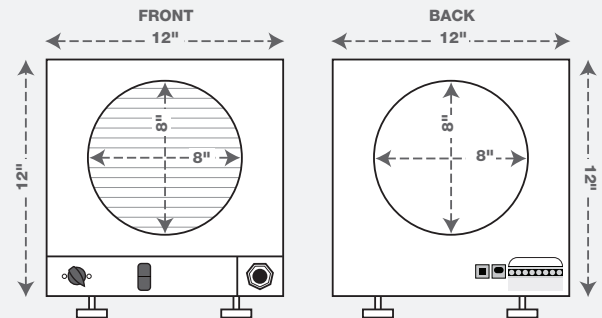
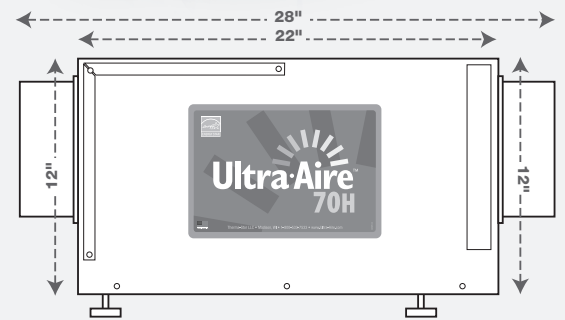
### Capacities and Performance

<b>Part Number:</b>	4033730		
<b>Blower:</b>	150 CFM @ 0.0" WG 140 CFM @ 0.2" WG 130 CFM @ 0.4" WG		
<b>Power:</b>	580 Watts @ 80°F and 60% RH		
<b>Supply Voltage:</b>	115 VAC – 1phase – 60 Hz		
<b>Current Draw:</b>	5.1 Amps		
<b>Transformer Protection:</b>	Push Button Reset (located near power cord)		
<b>Circuit Requirement:</b>	15 Amps		
<b>Energy Factor:</b>	2.4 L/kWh		
<b>Operating Range:</b>	49°F Min, 95°F Max (Inlet Air Temperature) 34°F Min, 135°F Max (Outside Cabinet)		
<b>Sized For:</b>	Up to 1,800 Square Feet		
<b>Minimum Performance at:</b>	<b>80°F and 60% RH</b>	<b>70°F and 60% RH</b>	
Water Removal:	70 Pints/Day	47 Pints/Day	
Efficiency:	5.0 Pints/kWh	4.0 Pints/kWh	
<b>Duct Connections:</b>	8" Round Inlet; 8" Round Outlet		
<b>Air Filter:</b>	MERV-13, Mini Pleat		
Efficiency:	90% ASHRAE Dust Spot		
Size:	9" x 11" x 1"		
<b>Optional Air Filters:</b>	MERV-11, Mini Pleat		
Efficiency:	65% ASHRAE Dust Spot		
Size:	9" x 11" x 1"		
	MERV-14, Embossed Pleat (will need filter housing)		
Efficiency:	95% ASHRAE Dust Spot		
Size:	20" x 24" x 4"		
<b>Power Cord:</b>	9', 115 VAC, Ground		
<b>Internal Insulated Cabinet:</b>	Yes		
<b>Drain Connection:</b>	3/4" Threaded Female NPT		
<b>Refrigerant Type:</b>	R410A		
<b>Refrigerant Amount:</b>	15 oz.		

Dimensions:	Unit With Collars	Unit Without Collars	Shipping
Width:	12"	12"	15 5/8"
Height:	12"	12"	16"
Length:	28"	22"	31 5/8"
Weight:	55 lbs.	54 lbs.	65 lbs.



4033730



### Optional Accessories

4028539	DEH 3000 Control
4028407	DEH 3000R Control (with remote)
4037724	MERV-13 Filter (9" x 11" x 1")
4037735	MERV-13 Filters 4-Pack
4037736	MERV-13 Filters 12-Pack
4030671	MERV-11 Filter (9" x 11" x 1")
4030734	MERV-11 Filters 4-Pack
4030733	MERV-11 Filters 12-Pack
4025287	MERV-14 Filter Housing
4024370	MERV-14 Filter (20" x 24" x 4")
4029087	MERV-14 Filters 3-Pack
4030113	Pump Kit
4036695	Hang Kit
4023672	6" Motorized Damper
4026859	6" Flex Duct 25'
4020128	6" Flex Insulated Duct 25'
4020656	6" Inlet Hood
4023647	8" Gravity Damper
4027415	8" Flex Duct 25'
4020177	8" Flex Insulated Duct 25'



P/N 4028539

With Remote: P/N 4028407

### DEH 3000 Control

- Digital Control of Relative Humidity
- Fan/Filter Operation
- Programmable Ventilation Timer
- Large, easy-to-read backlit LCD display
- Easy interaction with air handler fan
- High Temperature Cut-Out
- Dryout Cycle Timer
- Auto Reboot
- Remote Sensor (DEH 3000R Only)

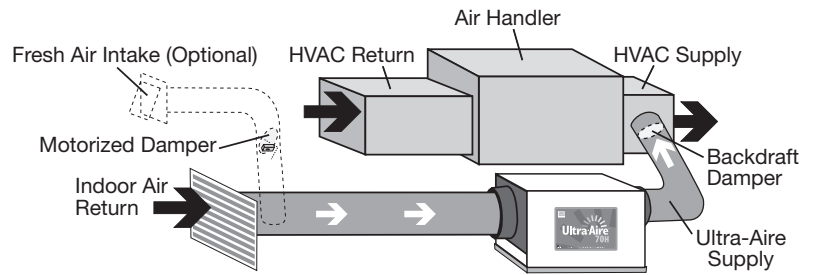
(800) 533-7533 | www.Ultra-Aire.com

# Ultra-Aire™ 70H Ventilating Dehumidifier

## Recommended Installations

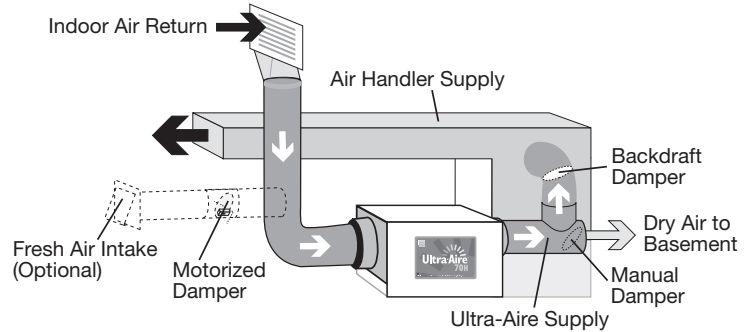
### Dedicated Return to HVAC Supply

- Create a separate return for the Ultra-Aire 70H in a central area of the building.
- Duct the supply of the Ultra-Aire 70H to the air supply of the HVAC system with a backdraft damper.



### Basement / Crawl Space - Dedicated Return to HVAC Supply

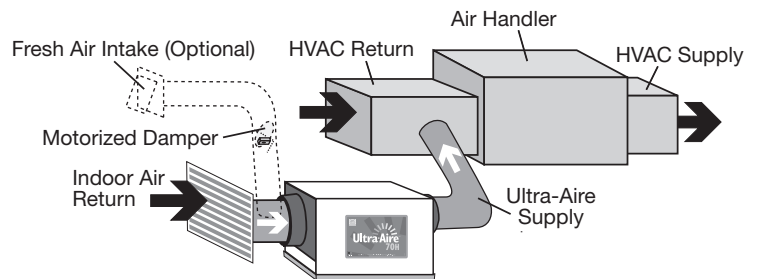
- Duct the supply of the Ultra-Aire 70H to a 8" x 8" x 8" tee damper that is 20 percent open to the basement.
- Duct the other side of the tee to the air supply of the existing HVAC system with a backdraft damper.



## Alternative Installations

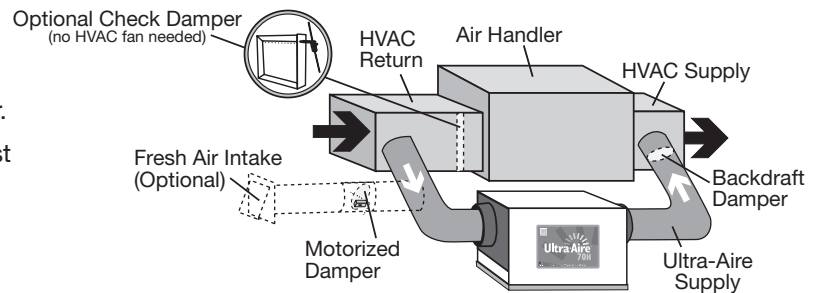
### Dedicated Return to HVAC Return

- Create a separate return for the Ultra-Aire 70H in a central area of the building.
- Installing the supply air from the Ultra-Aire 70H in the return of the HVAC system requires the HVAC fan to run when the Ultra-Aire 70H is operating.



### HVAC Return to HVAC Supply

- Check Damper should be in place between the Return and Supply connections of the dehumidifier.
- If Check Damper is not in place, the HVAC fan must turn on when the dehumidifier is in operation.



### HVAC Return to HVAC Return

- Check Damper should be in place between the Return and Supply connections of the dehumidifier.
- If Check Damper is not in place, the HVAC fan must turn on when the dehumidifier is in operation.

