

Ultra-Aire™ 98H Ventilating Dehumidifier

Specification Data



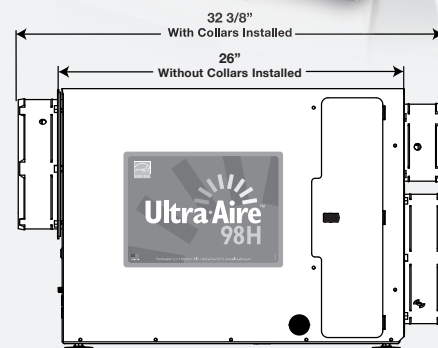
Capacities and Performance

Part Number:	4034240		
Blower:	320 CFM @ 0.0" WG 297 CFM @ 0.2" WG 215 CFM @ 0.4" WG		
Power:	670 Watts @ 80°F and 60% RH		
Supply Voltage:	115 VAC – 1phase – 60 Hz		
Current Draw:	5.9 Amps		
Transformer Protection:	Push Button Reset (located near power cord)		
Circuit Requirement:	15 Amps		
Energy Factor:	2.95 L/kWh		
Operating Range:	49°F Min, 95°F Max (Inlet Air Temperature) 34°F Min, 135°F Max (Outside Cabinet)		
Sized For:	Up to 2,300 Square Feet		
Minimum Performance at:	80°F and 60% RH	70°F and 60% RH	
Water Removal:	98 Pints/Day	75 Pints/Day	
Efficiency:	6.1 Pints/kWh	5.4 Pints/kWh	
Duct Connections:	6" Round Inlet; 10" Round Inlet; 10" Round Outlet		
Air Filter:	MERV-13, Mini Pleat		
Efficiency:	90% ASHRAE Dust Spot		
Size:	14" x 17.5" x 1.75"		
Optional Air Filters:	MERV-11, Mini Pleat		
Efficiency:	65% ASHRAE Dust Spot		
Size:	14" x 17.5" x 1.75"		
	MERV-14, Embossed Pleat (will need filter housing)		
Efficiency:	95% ASHRAE Dust Spot		
Size:	20" x 24" x 4"		
Power Cord:	9', 115 VAC, Ground		
Internal Insulated Cabinet:	Yes		
Drain Connection:	3/4" Threaded Female NPT		
Refrigerant Type:	R410A		
Refrigerant Amount:	1 lb., 9 oz.		

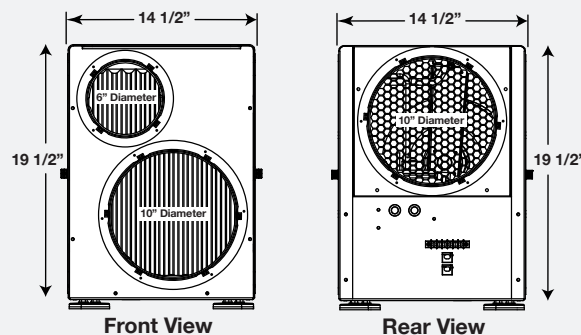
Dimensions:	Unit With Collars	Unit Without Collars	Shipping
Width:	14 1/2"	14 1/2"	23"
Height:	19 1/2"	19 1/2"	30"
Length:	32 3/8"	26"	40"
Weight:	81 lbs.	80 lbs.	95 lbs.



4034240



Side View



Front View

Rear View



P/N 4028539

With Remote: P/N 4028407

DEH 3000 Control

- Digital control of Relative Humidity
- Fan/Filter Operation
- Programmable Ventilation Timer
- Large, easy-to-read backlit LCD display
- Easy interaction with air handler fan
- High Temperature Cut-Out
- Dryout Cycle Timer
- Auto Reboot
- Remote Sensor (DEH 3000R Only)

Optional Accessories

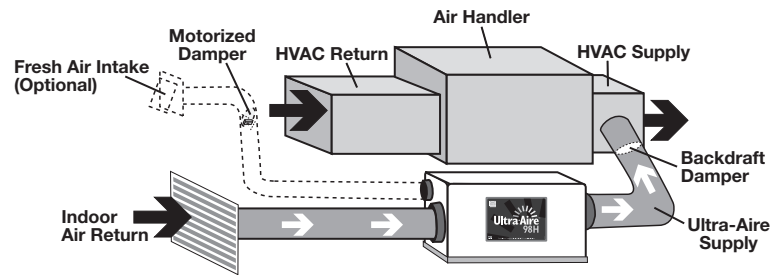
4028539	DEH 3000 Control
4028407	DEH 3000R Control (with remote)
4037722	MERV-13 Filter (14" x 17.5" x 1.75")
4037731	MERV-13 Filters 4-Pack
4037732	MERV-13 Filters 12-Pack
4035319	MERV-11 Filter (14" x 17.5" x 1.75")
4035131	MERV-11 Filters 4-Pack
4035132	MERV-11 Filters 12-Pack
4025287	MERV-14 Filter Housing
4024370	MERV-14 Filter (20" x 24" x 4")
4029087	MERV-14 Filters 3-Pack
4033038	Pump Kit
4036695	Hang Kit
4023672	6" Motorized Damper
4026859	6" Flex Duct 25"
4020128	6" Flex Insulated Duct 25"
4020656	6" Inlet Hood
4024375	10" Gravity Damper
4026969	10" Flex Duct 25"
4022126	10" Flex Insulated Duct 25"

Ultra-Aire™ 98H Ventilating Dehumidifier

Recommended Installations

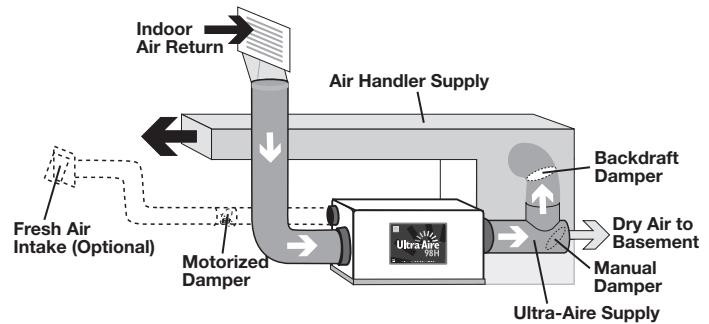
Dedicated Return to HVAC Supply

- Create a separate return for the Ultra-Aire 98H in a central area of the building.
- Duct the supply of the Ultra-Aire 98H to the air supply of the HVAC system with a backdraft damper.



Basement / Crawl Space - Dedicated Return to HVAC Supply

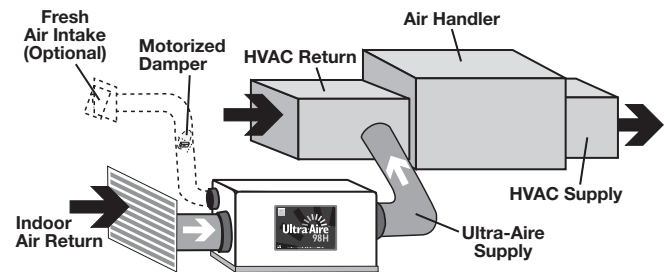
- Duct the supply of the Ultra-Aire 98H to a 10" x 10" x 10" tee damper that is 20 percent open to the basement.
- Duct the other side of the tee to the air supply of the existing HVAC system with a backdraft damper.



Alternative Installations

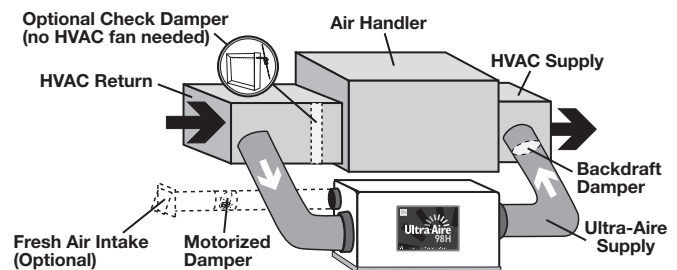
Dedicated Return to HVAC Return

- Create a separate return for the Ultra-Aire 98H in a central area of the building.
- Installing the supply air from the Ultra-Aire 98H in the return of the HVAC system requires the HVAC fan to run when the Ultra-Aire 98H is operating.



HVAC Return to HVAC Supply

- Check Damper should be in place between the Return and Supply connections of the dehumidifier.
- If Check Damper is not in place, the HVAC fan must turn on when the dehumidifier is in operation.



HVAC Return to HVAC Return

- Check Damper should be in place between the Return and Supply connections of the dehumidifier.
- If Check Damper is not in place, the HVAC fan must turn on when the dehumidifier is in operation.

