

In-Wall Dehumidifier Rear Panel Kit

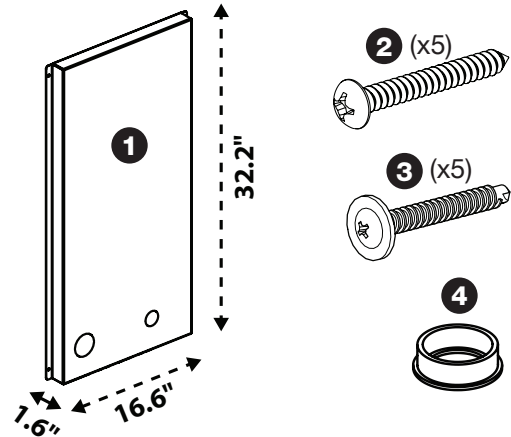
Part No. 4037768

Parts Included:

1. Rear Panel
2. Screw A (x5) - Pan Head, coarse pointed screw for wood
3. Screw B (x5) - Truss Head, self-drilling screw for metal studs
4. Plastic Grommet / Drain Hose Bushing

Tools Required:

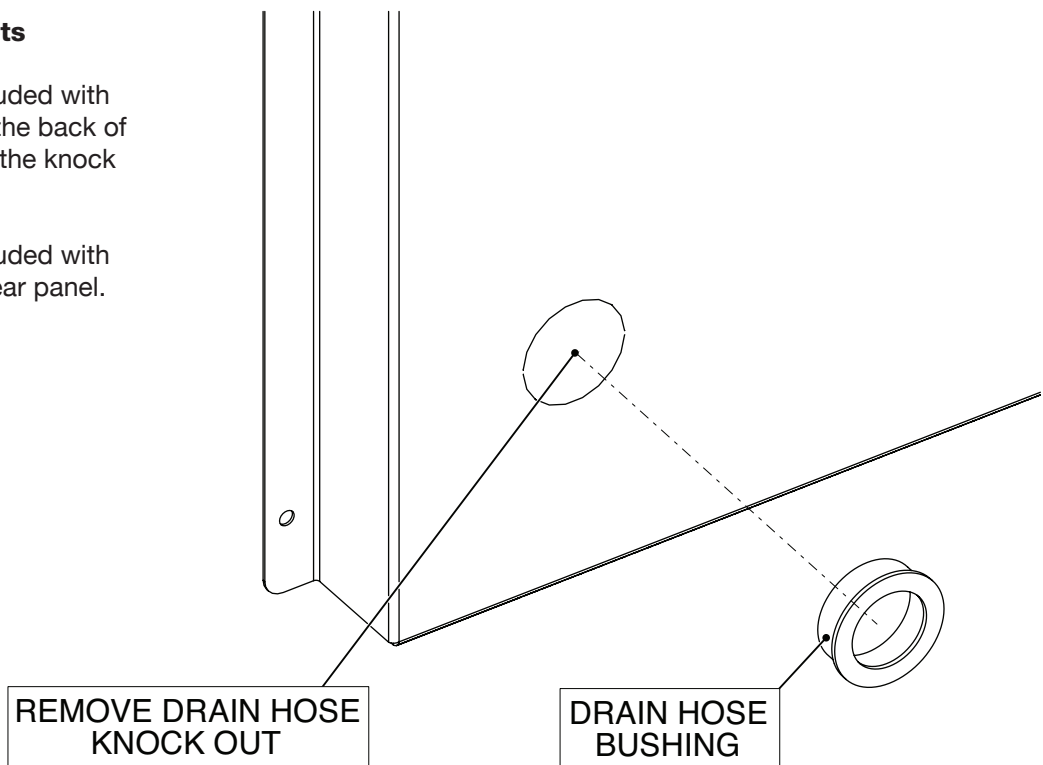
- Drill/Screwdriver



Step 1. Insert Grommets

Insert plastic grommet included with the in-wall dehumidifier to the back of the unit after punching out the knock out hole for the drain hose.

Insert plastic grommet included with this kit to the back of the rear panel.



CONTINUED



Therma-Stor

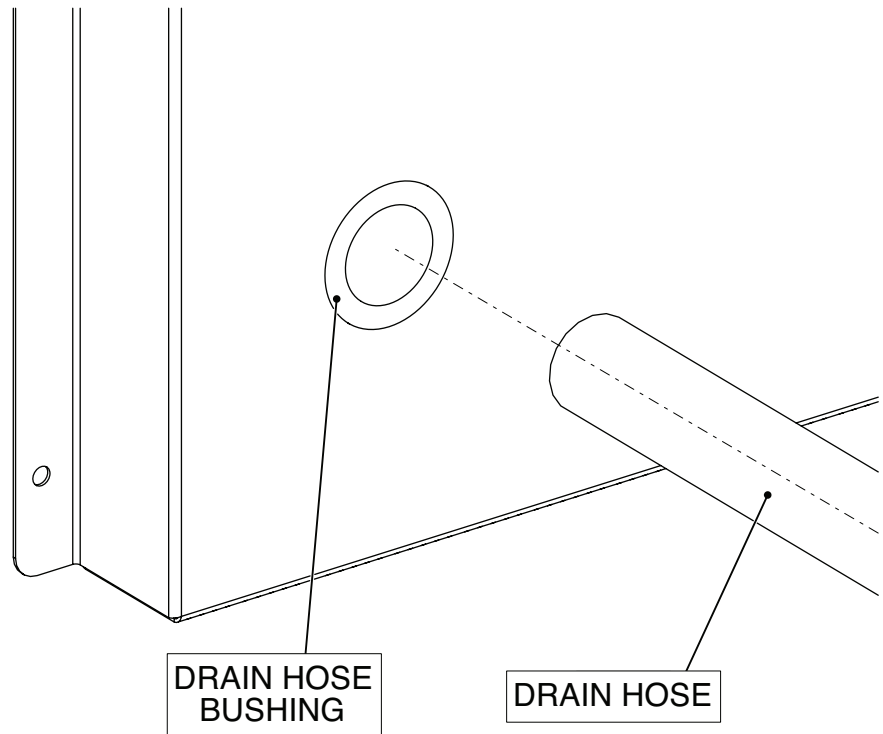
4201 Lien Rd Madison, WI 53704 • TOLL-FREE 1-800-533-7533 • www.thermastor.com • sales@thermastor.com

TS-1056 7/18 Rev B

Step 2. Install Drain Hose

Route the drain hose through the rear panel and the dehumidifier to connect to the drain pan.

Be sure the drain hose knock out and the electrical wiring knock out on the rear panel line up with the dehumidifier.



Step 3. Install Rear Panel

Check that there is no strain on the drain hose and power cord.

Locate the four holes on the rear panel and fasten to the wall with the appropriate screws based on the stud type. Screw A can be used for wood studs and Screw B can be used for metal studs.

