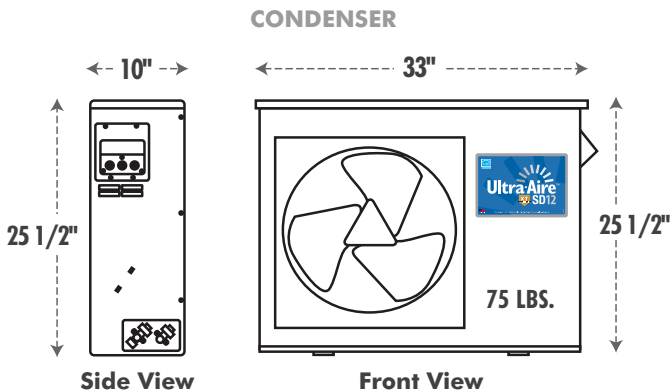
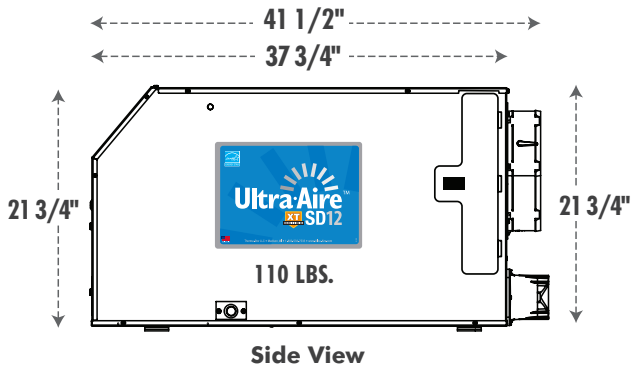
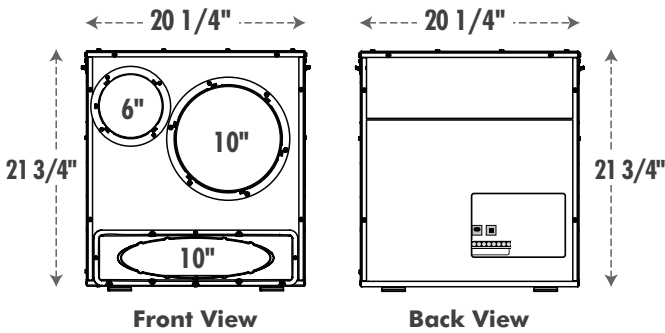


Technical Specs

ULTRA-AIRE™ SD12

Features

- Split System with Sensible Cooling
- Energy Star® Rated
- Patented XT Technology
- Superior MERV-13 Filtration
- Dedicated Outdoor Air Ventilation
- Unmatched 6 Year Warranty



Part Number	4033170
Shipping Dimensions	35"W x 44"H x 44"D - 225 Lbs.
Dehumidifier	
Water Removal	184 Pints/Day @ 80°F/60%RH
Sensible Cooling	4,300 BTUs/Hour @ 80°F/60%RH
Power	160 Watts @ 80°F/60%RH
Supply Voltage	115 VAC - 1 Phase - 60 Hz.
Current Draw	1.4 Amps
Efficiency	6.6 Pints/kWh @ 80°F/60%RH
Blower	406 CFM @ 0.0" WG 374 CFM @ 0.2" WG 348 CFM @ 0.4" WG
Energy Factor	3.1 L/kWh
Sized For	Up to 4,000 Square Feet
Operating Range	49°F - 95°F Inlet Air Temperature
Transformer Protection	Push button reset located near the power cord
Power Cord	9 Foot - 115 VAC - Ground
Circuit Requirement	15 Amps
Duct Connections	6" Round OA Inlet - 10" Round Inlet - 10" Oval Outlet
Drain Connection	3/4" Threaded Female NPT
Refrigerant	R410A - 42 Oz.
Line Set	50 Feet Maximum 1 1/4" Liquid Line - 3/8" Gas Line
Control	Use of the DEH 3000/R digital control for outdoor air ventilation and humidity control in the living space or similar option
Condenser	
Power	1080 Watts @ 80°F/60%RH
Supply Voltage	115 VAC - 1 Phase - 60 Hz.
Current Draw	9.7 Amps
Power Cord	Hard-Wired
Minimum Circuit Ampacity	20 Amps
Maximum Fuse / Breaker	20 Amps
Refrigerant	R410A - 36 Oz.
Operating Range	40°F - 115°F Outdoor Air Temperature

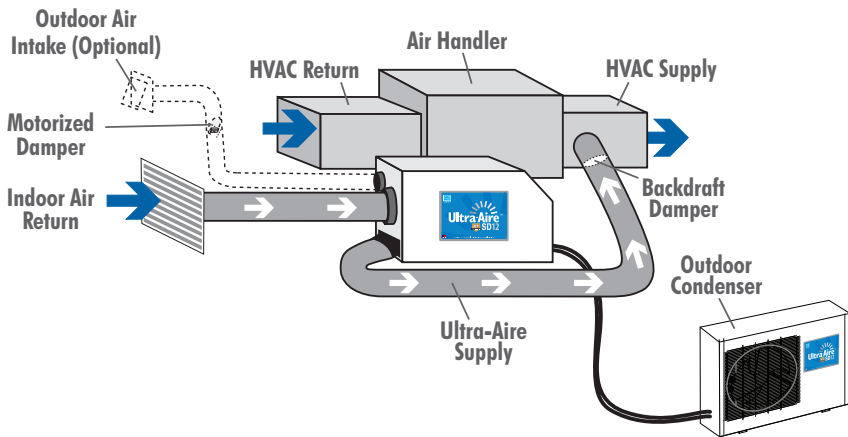
Recommended Installation

Dedicated Return to HVAC Supply

Create a separate return for the Ultra-Aire SD12 dehumidifier in a central area of the building.

Duct the supply of the Ultra-Aire SD12 dehumidifier to the air supply of the HVAC system with a backdraft damper.

Supply a line set suitable for use with R410A refrigerant to connect the indoor unit to the outdoor unit. The maximum allowable length of the line set is 50 feet. Braze the lines to the dehumidifier and the condensing unit.



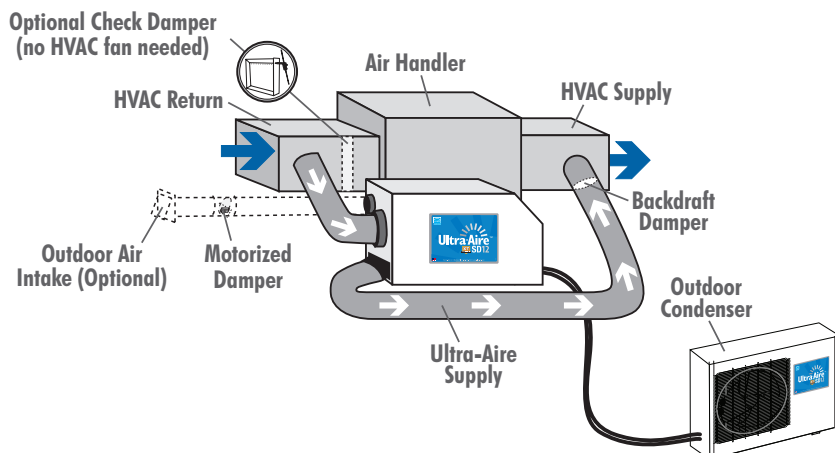
Alternative Installation

HVAC Return to HVAC Supply

Check Damper should be in place between the Return and Supply connections of the dehumidifier.

If Check Damper is not in place, the HVAC fan must turn on when the dehumidifier is in operation.

Supply a line set suitable for use with R410A refrigerant to connect the indoor unit to the outdoor unit. The maximum allowable length of the line set is 50 feet. Braze the lines to the dehumidifier and the condensing unit.



Accessories

DEH 3000 Control	4028539
DEH 3000R Control	4028407
Ultra-Aire Sentry	4037220
MERV-13 Filter (16" x 20" x 2")	4039391
MERV-13 Filter 4-Pack	4037733
MERV-13 Filter 12-Pack	4037734
Pump Kit	4022220
Hang Kit	4036685
6" Motorized Damper	4023672
6" Flex Duct 25'	4026859
6" Flex Insulated Duct 25'	4020128
6" Inlet Hood	4020656
10" Gravity Damper	4024375
10" Flex Duct 25'	4026969
10" Flex Insulated Duct 25'	4022126
10" Oval to Round Adapter	4028399

Ultra-Aire™ Whole House Ventilating Dehumidifiers

are specifically designed for professional HVAC installation and deliver the ultimate in indoor air quality and comfort.

Ultra-Aire™
DEHUMIDIFIERS

