

Ultra-Aire™ XT105H Ventilating Dehumidifier

Specification Data

Capacities and Performance

| | | | |
|------------------------------------|---|------------------------|--|
| Part Number: | 4032240 | | |
| Blower: | 257 CFM @ 0.0" WG 206 CFM @ 0.2" WG 146 CFM @ 0.4" WG | | |
| Power: | 530 Watts @ 80°F and 60% RH | | |
| Supply Voltage: | 115 VAC – 1phase – 60 Hz | | |
| Current Draw: | 4.9 Amps | | |
| Transformer Protection: | Push Button Reset (located near power cord) | | |
| Circuit Requirement: | 15 Amp Dedicated | | |
| Energy Factor: | 4.2 L/kWh | | |
| Operating Range: | 49°F Min, 95°F Max (Inlet Air Temperature) 34°F Min, 135°F Max (Outside Cabinet) | | |
| Sized For: | Up to 2,500 Square Feet | | |
| Minimum Performance at: | 80°F and 60% RH | 70°F and 60% RH | |
| Water Removal: | 105 Pints/Day | 85 Pints/Day | |
| Efficiency: | 8.8 Pints/kWh | 8.0 Pints/kWh | |
| Duct Connections: | 6" Round Inlet; 10" Round Inlet; 10" Oval Outlet | | |
| Air Filter: | MERV-13, Standard Pleat | | |
| Efficiency: | 90% ASHRAE Dust Spot | | |
| Size: | 16" x 20" x 2" | | |
| Optional Air Filters: | MERV-11, Standard Pleat | | |
| Efficiency: | 65% ASHRAE Dust Spot | | |
| Size: | 16" x 20" x 2" | | |
| | MERV-14, Embossed Pleat (will need filter housing) | | |
| Efficiency: | 95% ASHRAE Dust Spot | | |
| Size: | 20" x 24" x 4" | | |
| Power Cord: | 9', 115 VAC, Ground | | |
| Internal Insulated Cabinet: | Yes | | |
| Drain Connection: | 3/4" Threaded Female NPT | | |
| Refrigerant Type: | R410A | | |
| Refrigerant Amount: | 1 lb., 10 oz. | | |

| Dimensions: | Unit With Collars | Unit Without Collars | Shipping |
|-------------|-------------------|----------------------|----------|
| Width: | 20 1/4" | 20 1/4" | 25" |
| Height: | 21 3/4" | 21 3/4" | 28" |
| Length: | 41 1/2" | 37 3/4" | 42" |
| Weight: | 140 lbs. | 139 lbs. | 162 lbs. |



P/N 4028539

With Remote: P/N 4028407

DEH 3000 Control

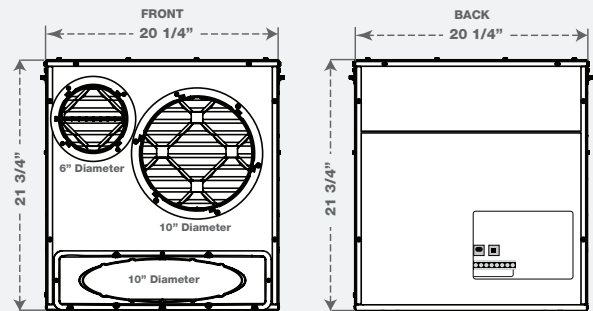
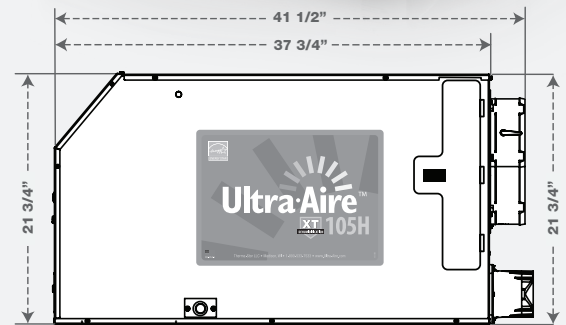
- Digital control of Relative Humidity
- Fan/Filter Operation
- Programmable Ventilation Timer
- Large, easy-to-read backlit LCD display
- Easy interaction with air handler fan
- High Temperature Cut-Out
- Dryout Cycle Timer
- Auto Reboot
- Remote Sensor (DEH 3000R Only)



PATENTS:
D570,988
8,069,681
9,052,132



4032240



Optional Accessories

| | |
|---------|---------------------------------|
| 4028539 | DEH 3000 Control |
| 4028407 | DEH 3000R Control (with remote) |
| 4039391 | MERV-13 Filter (16" x 20" x 2") |
| 4037733 | MERV-13 Filters 4-Pack |
| 4037734 | MERV-13 Filters 12-Pack |
| 4021475 | MERV-11 Filter (16" x 20" x 2") |
| 4027420 | MERV-11 Filters 4-Pack |
| 4027424 | MERV-11 Filters 12-Pack |
| 4025287 | MERV-14 Filter Housing |
| 4024370 | MERV-14 Filter (20" x 24" x 4") |
| 4029087 | MERV-14 Filters 3-Pack |
| 4028614 | Pump Kit |
| 4036685 | Hang Kit |
| 4023672 | 6" Motorized Damper |
| 4026859 | 6" Flex Duct 25' |
| 4020128 | 6" Flex Insulated Duct 25' |
| 4020656 | 6" Inlet Hood |
| 4024375 | 10" Gravity Damper |
| 4026969 | 10" Flex Duct 25' |
| 4022126 | 10" Flex Insulated Duct 25' |
| 4028399 | 10" Oval to Round Adapter |

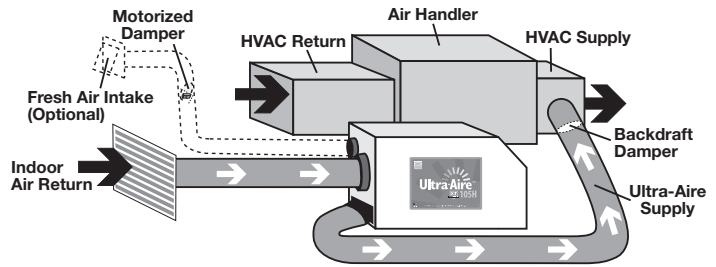
(800) 533-7533 | www.Ultra-Aire.com

Ultra-Aire™ XT105H Ventilating Dehumidifier

Recommended Installations

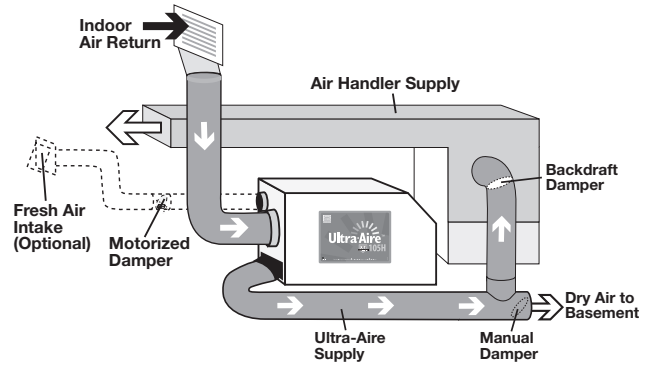
Dedicated Return to HVAC Supply

- Create a separate return for the Ultra-Aire XT105H in a central area of the building.
- Duct the supply of the Ultra-Aire XT105H to the air supply of the HVAC system with a backdraft damper.



Basement / Crawl Space - Dedicated Return to HVAC Supply

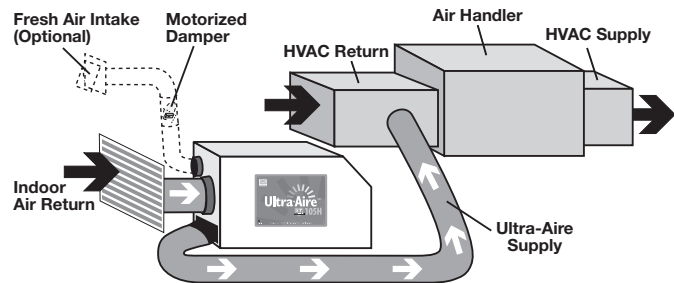
- Duct the supply of the Ultra-Aire XT105H to a 10" x 10" x 10" tee damper that is 20 percent open to the basement.
- Duct the other side of the tee to the air supply of the existing HVAC system with a backdraft damper.



Alternative Installations

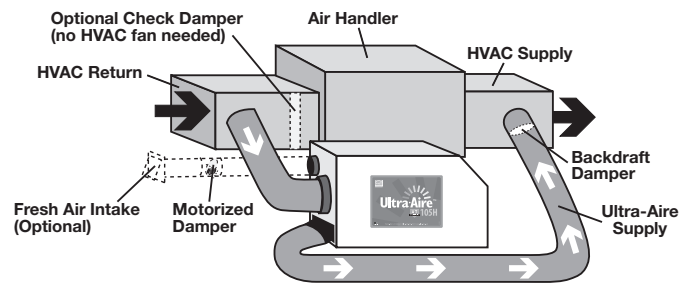
Dedicated Return to HVAC Return

- Create a separate return for the Ultra-Aire XT105H in a central area of the building.
- Installing the supply air from the Ultra-Aire XT105H in the return of the HVAC system requires the HVAC fan to run when the Ultra-Aire XT105H is operating.



HVAC Return to HVAC Supply

- Check Damper should be in place between the Return and Supply connections of the dehumidifier.
- If Check Damper is not in place, the HVAC fan must turn on when the dehumidifier is in operation.



HVAC Return to HVAC Return

- Check Damper should be in place between the Return and Supply connections of the dehumidifier.
- If Check Damper is not in place, the HVAC fan must turn on when the dehumidifier is in operation.

