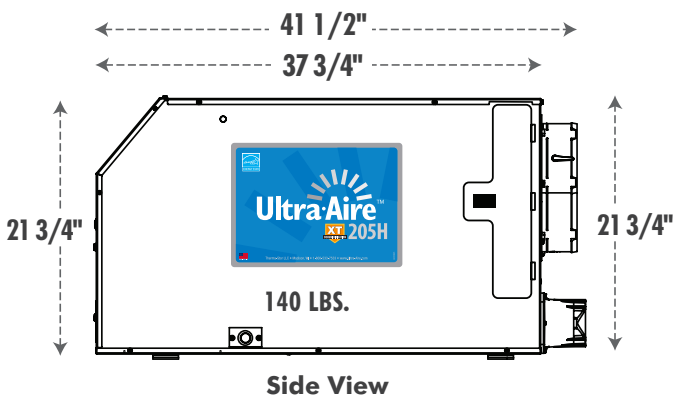
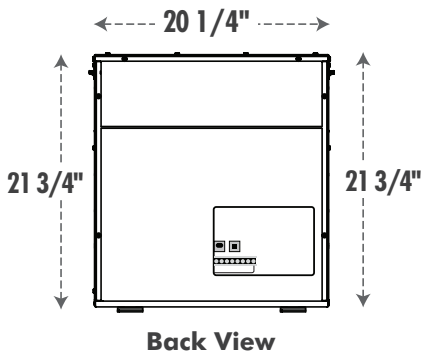
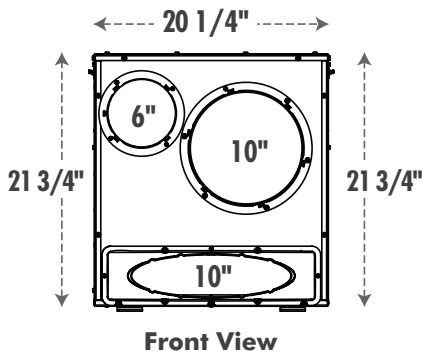


# Technical Specs

# ULTRA-AIRE™ XT205H

## Features

- Largest Capacity Residential Dehumidifier
- Patented XT Technology
- Superior MERV-13 Filtration
- Dedicated Outdoor Air Ventilation
- Unmatched 6 Year Warranty



### Part Number

4031560

### Capacity

#### Water Removal

205 Pints/Day @ 80°F/60%RH

#### Efficiency

5.7 Pints/kWh @ 80°F/60%RH

### Performance

#### Blower

526 CFM @ 0.0" WG  
495 CFM @ 0.2" WG  
458 CFM @ 0.4" WG

#### Energy Factor

2.7 L/kWh

#### Sized For

Up to 5,000 Square Feet

#### Operating Range

49°F - 95°F Inlet Air Temperature  
34°F - 135°F Outside Cabinet

### Electrical

#### Power

1525 Watts @ 80°F/60%RH

#### Supply Voltage

115 VAC - 1 Phase - 60 Hz.

#### Current Draw

13.2 Amps

#### Power Cord

9 Foot - 115 VAC - Ground

#### Circuit Requirement

20 Amp Dedicated

### Functionality

#### Duct Connections

6" Round OA Inlet - 10" Round Inlet -  
10" Oval Outlet

#### Drain Connection

3/4" Threaded Female NPT

#### Transformer Protection

Push button reset located near the  
power cord

#### Control

Use of the DEH 3000/R digital control  
for outdoor air ventilation and  
humidity control in the living space  
or similar option

#### Refrigerant

R410A - 2 Lbs., 1 Oz.

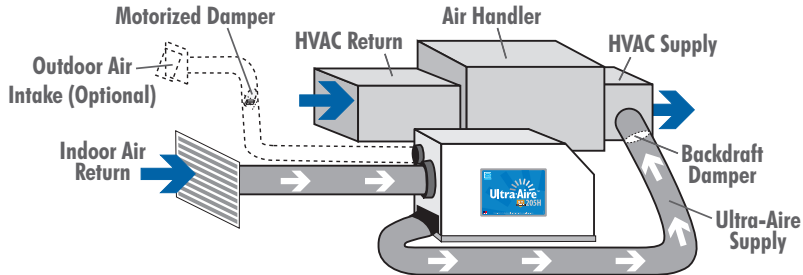
#### Shipping Dimensions

25"W x 28"H x 42"D - 173 Lbs.

## Recommended Installations

### Dedicated Return to HVAC Supply

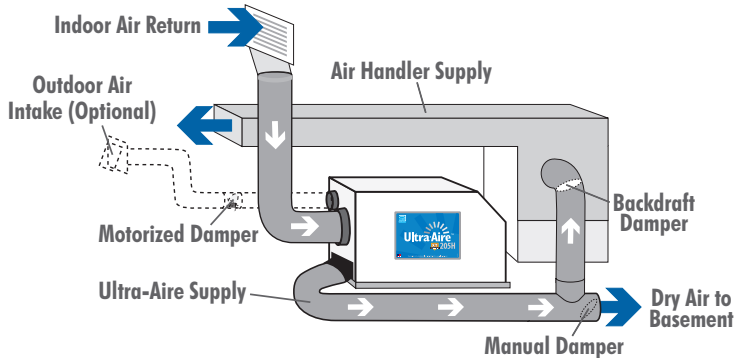
Create a separate return for the Ultra-Aire XT205H in a central area of the building. Duct the supply of the Ultra-Aire XT205H to the air supply of the HVAC system with a backdraft damper.



### Basement / Crawl Space - Dedicated Return to HVAC Supply

Duct the supply of the Ultra-Aire XT205H to a 10" x 10" x 10" tee damper that is 20 percent open to the basement.

Duct the other side of the tee to the air supply of the existing HVAC system with a backdraft damper.



## Accessories

<b>DEH 3000 Control</b>	4028539
<b>DEH 3000R Control</b>	4028407
<b>Ultra-Aire Sentry</b>	4037220
<b>MERV-13 Filter (16" x 20" x 2")</b>	4039391
<b>MERV-13 Filter 4-Pack</b>	4037733
<b>MERV-13 Filter 12-Pack</b>	4037734
<b>Pump Kit</b>	4022220
<b>Hang Kit</b>	4036685
<b>6" Motorized Damper</b>	4023672
<b>6" Flex Duct 25'</b>	4026859
<b>6" Flex Insulated Duct 25'</b>	4020128
<b>6" Inlet Hood</b>	4020656
<b>10" Gravity Damper</b>	4024375
<b>10" Flex Duct 25'</b>	4026969
<b>10" Flex Insulated Duct 25'</b>	4022126
<b>10" Oval to Round Adapter</b>	4028399

### Ultra-Aire™ Whole House Ventilating Dehumidifiers

are specifically designed for professional HVAC installation and deliver the ultimate in indoor air quality and comfort.



## Alternative Installation

### HVAC Return to HVAC Supply

Check Damper should be in place between the Return and Supply connections of the dehumidifier.

If Check Damper is not in place, the HVAC fan must turn on when the dehumidifier is in operation.

