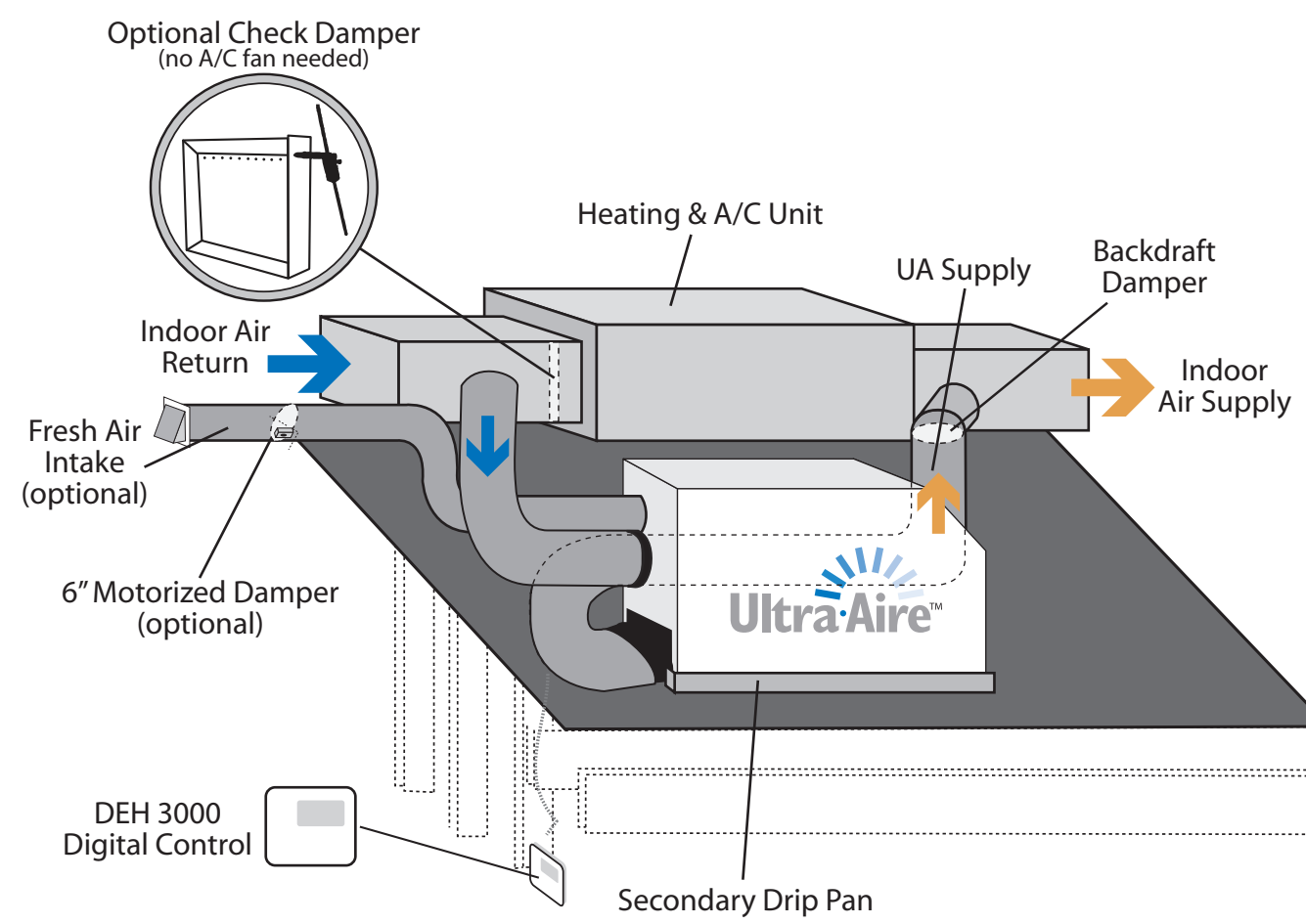


A/C Return to A/C Supply



- Check Damper should be in place between the Return and Supply connections of the dehumidifier.
- If Check Damper is not in place, the A/C fan must turn on when the dehumidifier is in operation.
- DEH 3000 should be centrally located.